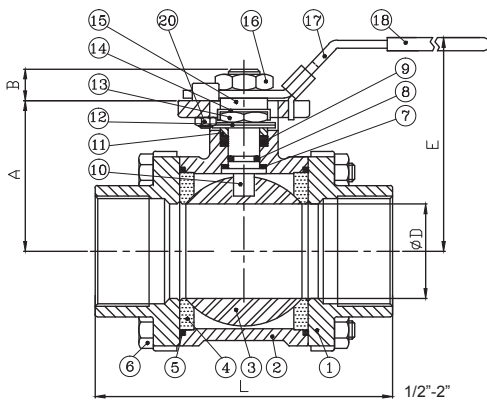


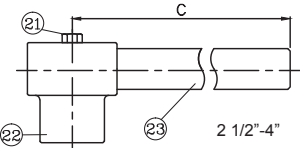
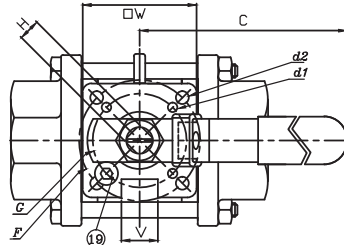
1000WOG/ PN 63

SIZE: 1/4"-4"



Specification

- Body & end caps quality investment casting
- Available in stainless steel or carbon steel
- 100% air tested under water at 80-100 PSI
- Temperature range : -20°F to 450°F
- with locking function
- End type: threaded, socket weld, butt weld
- with ISO 5211 direct mounting pad
- Adjustable stem packing
- Blow-out proof stem design
- Working pressure:
1/2-2" 1000 psi
2 1/2-4" 800 psi



Break-Torque Valve for (Nm/at 0 psi)

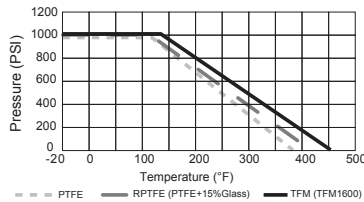
Size	1/4"	3/8"	1/2"	3/4"	1"	1 1/4"	1 1/2"	2"	2 1/2"	3"	4"
GREASE	3.5	3.5	5	5.5	7	11	17	23	35	46	72
NON-GREASE	5	5	6	7	9.5	16	27	30	68	85	105

Standard Material Specifications

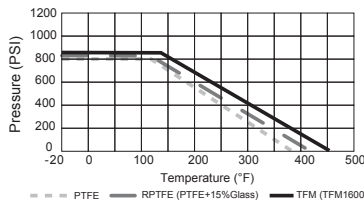
No.	Part Name	Materials
1	End cap	CF8M
2	Body	CF8M
3	Ball	SS 316
4	Ball Seats	TFM1600
5	Gasket	TFM1600
6	Bolts	SS 304
7	Thrust Washer	TFM1600
8	O-Ring	VITON
9	Stem Packing	TFM1600
10	Stem	SS 316
11	Gland	SS 304
12	Disk Washer	SS 301
13	Stem Nut	SS 304
14	Nut Stop	SS 304
15	Space Washer	SS 304
16	Handle Nut	SS 304
17	Handle	SS 304
18	Handle Cover	PLASTISOL
19	Stop Pin	SS 304
20	Nut	SS 304
21	Set Bolt	SS 304
22	Lever Head	CF8
23	Lever	CARBON STEEL

PRESSURE TEMPERATURE RATINGS

1/4"-2"



2-1/2"-3"



Dimensions (mm)

Size	A	B	C	D	d1	d2	E	F	G	H	L	L1	V	W
1/4"	37	11	130	11	6.0	6.0	58	36	42	9	60.5	60.5	19	44
3/8"	37	11	130	12.5	6.0	6.0	58	36	42	9	60.5	60.5	19	44
1/2"	37	11	130	15	6.0	6.0	58	36	42	9	63.5	63.5	19	44
3/4"	40	11	130	20	6.0	6.0	64	36	42	9	75.5	75.5	19	44
1"	48	14	155	25	6.0	7.0	77	42	50	11	86	86	24	52
1-1/4"	53	14	155	32	6.0	7.0	83	42	50	11	96	104	24	52
1-1/2"	63	18	205	38	7.0	9.0	92	50	70	14	111	117	28	53
2"	72	18	205	50	7.0	9.0	100	50	70	14	129	138	28	53
2-1/2"	92	22	300	65	9.0	11.3	140	70	102	17	152.5	170	-	92
3"	102	22	300	80	9.0	11.3	150	70	102	17	168.5	192	-	92
4"	132	26	300	100	11.3	13.5	195	102	125	22	212.5	226	-	102

*last updated 03/16