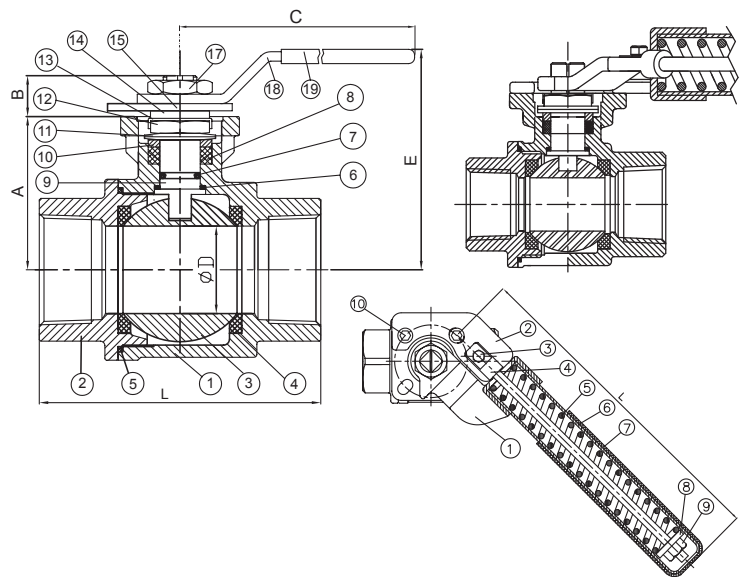


Specification

- Body & end caps quality investment casting
- with ISO 5211 direct mounting pad
- Adjustable stem packing
- Available in stainless steel or carbon steel
- Blow-out proof stem design
- 100% air tested under water at 80-100 PSI
- Working pressure: 1000/800 psi
- Temperature range : -20°F to 450°F
- with locking function
- End type: threaded
- SS spring handle
- Heavy duty design
- For ISO 5211 direct mounting pad

Complete with : Spring handle (dead man handle)

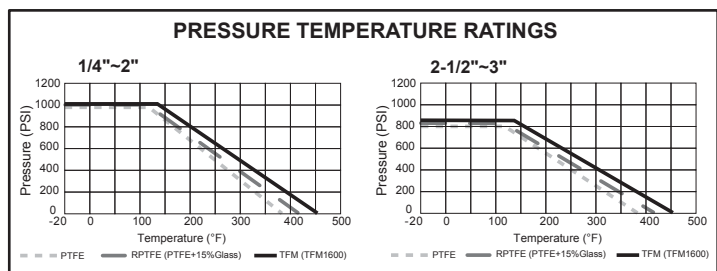
Material - SH01		
No.	Part Name	Materials
1	Handle Head	CF8
2	Anchor	CF8M
3	Anchor Screw	SS 304
4	Spring Rod	SS 304
5	Spring	SS 301
6	Handle Extension	SS 304
7	GRIP	PVC
8	Washer	SS 304
9	Hex Nut	SS 304
10	Socket Head Screw	SS 304



Dimensions (mm) - SH01				
Size	L	J	D (ISO5211)	TORQUE
1/2", 3/4"	170	9	F03 / F04	15 Nm
1", 1-1/2"	220	11	F04	22 Nm
2", 2-1/2"	280	14	F05	35 Nm

Material - 201D		
No.	Part Name	Materials
1	Body	CF8M
2	End cap	CF8M
3	Ball	SS 316
4	Ball Seats	TFM1600
5	Gasket	TFM1600
6	Thrust Washer	TFM1600
7	O-Ring	VITON
8	Stem Packing	TFM1600
9	Stem	SS 316
10	Gland Washer	SS 304
11	Disk Washer	SS 301
12	Stem Nut	SS 304
13	Nut Lock	SS 304
14	Space Washer	SS 304
15	Plater	SS 304
16	Stop Pin	SS 304
17	Handle Nut	SS 304
18	Handle	SS 304
19	Handle Cover	PLASTISOL
20	Set Bolt	SS 304
21	Lever Head	CF8
22	Lever	STEEL PIPE

Break-Torque Valve (Nm/at 0 psi) - 201D										
Size	1/4"	3/8"	1/2"	3/4"	1"	1 1/4"	1 1/2"	2"	2 1/2"	3"
GREASE	3.5	3.5	5	5.5	7	11	17	23	35	46
NON-GREASE	5	5	6	7	9.5	16	27	30	68	85



Dimensions (mm)						
Size	A	B	C	D	E	L
1/2"	37	9	130	15	66	59.0
3/4"	40	11	130	20	69	72.0
1"	48	14	160	25	80	79.5
1-1/4"	53.5	14	160	32	85	96.0
1-1/2"	63.5	18	205	38	98	104.5
2"	72	18	205	50	106	123.5
2-1/2"	92	22	320	63.5	140	160.0
3"	102	22	320	78	150	182.0

*last updated 03/16