

### Investment Cast 3-Piece Full Bore Ball Valves

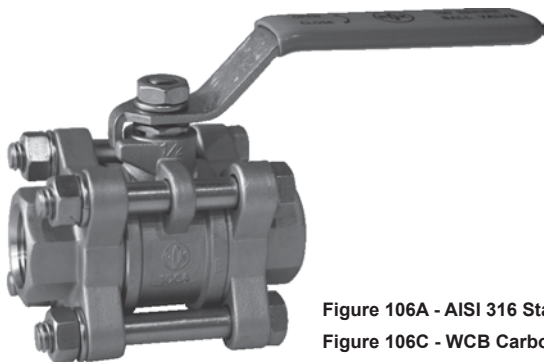
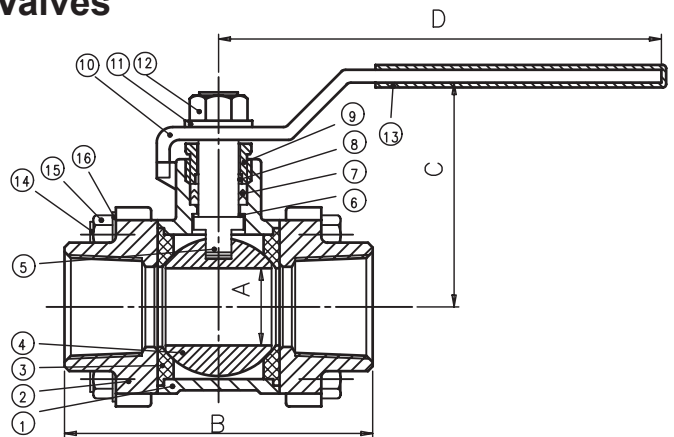


Figure 106A - AISI 316 Stainless Steel  
Figure 106C - WCB Carbon Steel



### FEATURES

- » Pressure rating 1000 psi non-shock for water, oil and gas
- » Temperature range -29°C to 232°C
- » Glass reinforced P.T.F.E. seats, P.T.F.E. steam seal
- » Stainless steel handle, plastic insulated
- » High Strength body bolts
- » Blow-out proof stem
- » Adjustable packing gland
- » 100% factory tested air underwater in open and closed position
- » Hydrostatic test pressure 1500 psi

- » 3-piece design allowing withdrawal of centre valve body for cleaning or maintenance simply by removing body bolts-whilest the end pieces remain in-line. This design also permits welded connection of the end pieces into the pipeline
- » Choice of end connection :
  - Female/female thread BSP.T, BSP.P, NPT and DIN
  - Weldable-Butt weld and socket weld flanged (refer Fig 109A) A.N.S.I 150 LB.F.

No	Part Name	Material	
		RK106A	RK106C
1	Body	CF8M/316	WCB
2	End Caps	CF8M/316	WCB
3	Seats	PTFE+15%G.F.	PTFE+15%G.F.
4	Ball	CF8M/316	AISI304
5	Stem	SUS 316	AISI304
6	Gasket	PTFE	PTFE
7	Seal	PTFE	PTFE
8	Gland Bush	PTFE	PTFE

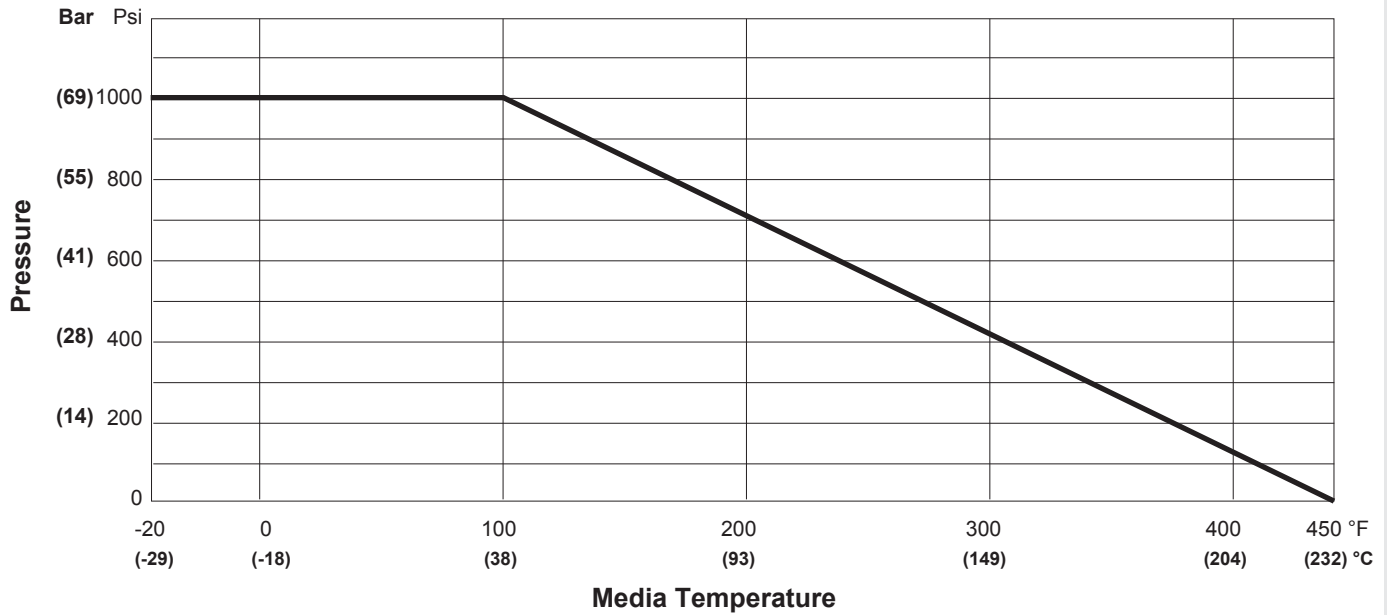
No	Part Name	Material	
		RK106A	RK106C
9	Packing Gland	SUS 304	SUS 304
10	Handle	SUS 304	SUS 304
11	Lever Spring Washer	SUS 304	SUS 304
12	Lever Nut	SUS 304	SUS 304
13	Plastic Coating	VINYL	VINYL
14	Bolts	SUS 304	SUS 304
15	Bolts Nuts	SUS 304	SUS 304
16	Spring Washer	SUS 304	SUS 304

Size		A	B	C	D	Torque
mm	inch	mm	mm	mm	mm	(N-m)
8	1/4	11	63.3	49.2	103	4.4
10	3/8	12.5	63.6	49.2	103	4.4
15	1/2	15	73.1	53.9	103	4.9
20	3/4	20	85.9	63.3	109	7.8
25	1	25	97.8	78.2	145	15.7
32	1 1/4	32	120.1	82.3	145	21.6
40	1 1/2	38	133.6	93.0	180	34.3
50	2	50	155.4	98.7	180	47.1
65	2 1/2	65	186.5	130	230	66.7
80	3	80	221.2	142.1	300	82.4
100	4	100	241	165.5	400	161.8

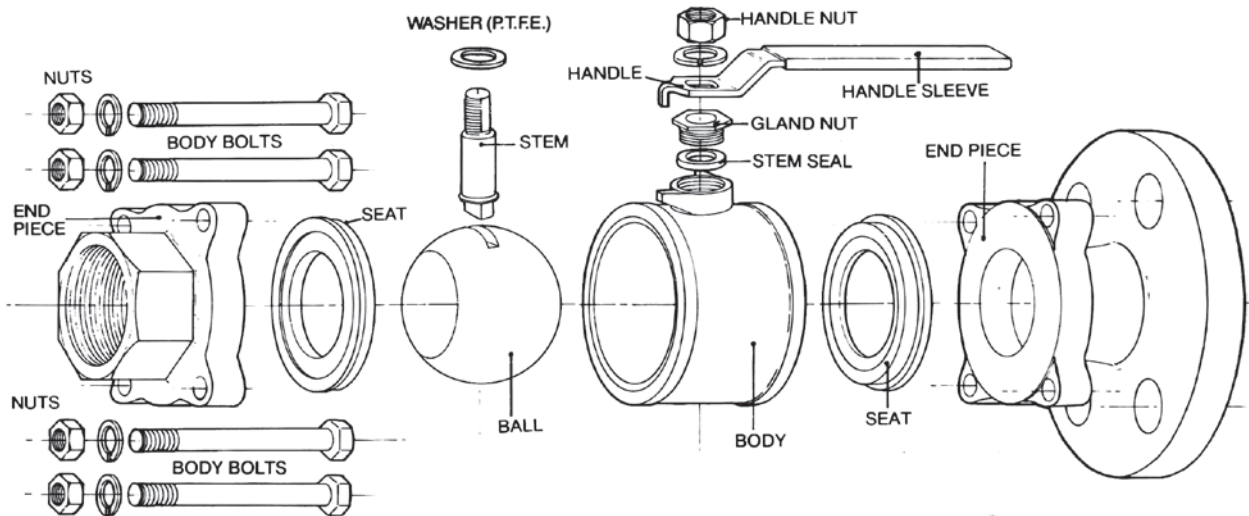
\*last updated 05/19



## PRESSURE & TEMPERATURE RATING



## DIAGRAM



\*last updated 10/18

