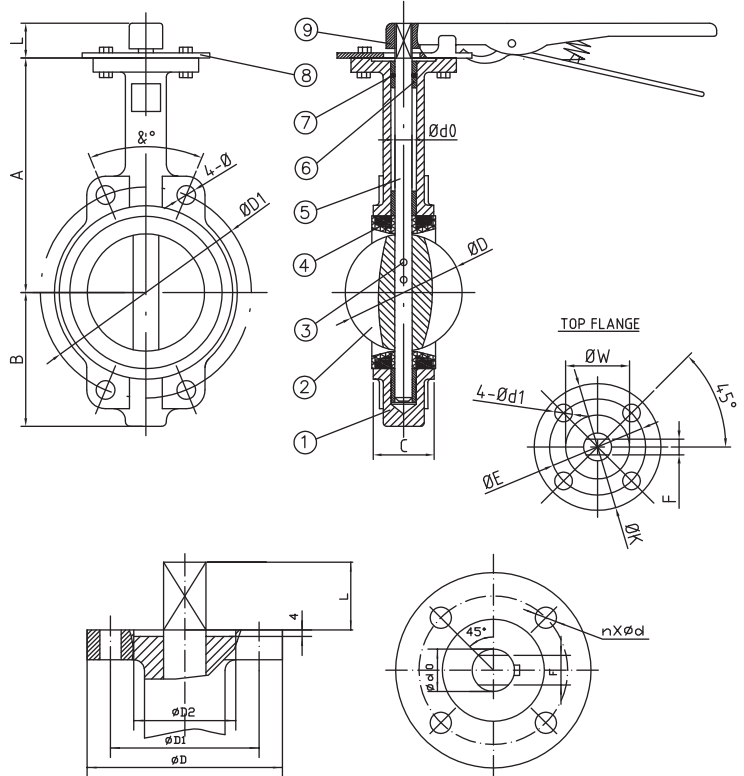




Lever Wafer Butterfly Valve



Size	WORKING PRESSURE	
	1.0MPa	1.6MPa
DN40	22.5	25
DN50	22.5	25
DN65	27.5	31.25
DN80	40	42.5
DN100	66.25	71.25
DN125	100	108.75
DN150	162.5	175
DN200	287.5	332.5

(Safety Factor: 1.25) Unit: N.M)

Size	ISO 5211	D	D1	D2	L	n x Ød		d0	F
						n	Ød		
DN40	F 05	65	50	35	30	4	7	12.6	10
DN50	F 05	65	50	35	30	4	7	12.6	10
DN65	F 05	65	50	35	30	4	7	12.6	10
DN80	F 05	65	50	35	30	4	7	12.6	10
DN100	F 07	90	70	55	30	4	10	15.77	12
DN125	F 07	90	70	55	30	4	10	18.92	14
DN150	F 07	90	70	55	30	4	10	18.92	14
DN200	F 10	125	102	70	40	4	12	22.10	17

Material			
No.	Part Name	Materials	Qty
1	Body	A126 CL.B with Ral 5017 blue epoxy painting	1
2	Disc	CF8M	1
3	Pin	Stainless Steel	2
4	Seat	EPDM	1
5	Stem	SS316	1
6	Bushing	P.T.F.E.	4
7	O-Ring	NBR	1
8	Indicator	Carbon Steel	1
9	Lever	Malleable Iron with black painting	1

Dimensions															
Size	A	B	C	D	d0	L	4-Ø	D1	&°	ØK	ØE	ØW	4-Ød	F	Alpha Code
DN40	132	75	33	41	12.6	30	BODY FLANGE ACCORDING TO PN10/PN16/ANSI 150 /JIS 10K			65	50	35	4-7	10	-
DN50	161	80	43	52.9	12.6	30				65	50	35	4-7	10	-
DN65	175	89	46	64.5	12.6	30				65	50	35	4-7	10	-
DN80	181	95	46	78.8	12.6	30				65	50	35	4-7	10	-
DN100	200	114	52	104	15.77	30				90	70	55	4-10	12	-
DN125	213	127	56	123.3	18.92	30				90	70	55	4-10	14	-
DN150	226	139	56	155.6	18.92	30				90	70	55	4-10	14	-
DN200	260	175	60	202.5	22.1	40				125	102	70	4-12	17	-

*last updated 03/16