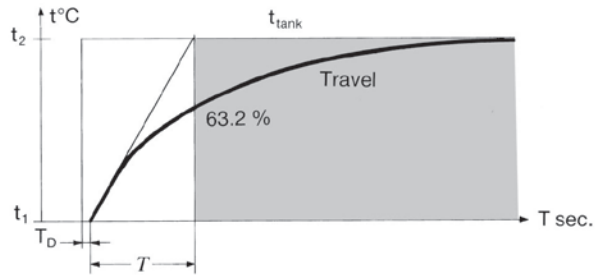


Sensor Pockets for Clorius V-Thermostat

Time Coefficient for Sensors

The time coefficients for rod and spiral sensors are measured in water flowing at a velocity of 1 m/sec., for air duct spiral sensors in air at a velocity of 4 m/sec.



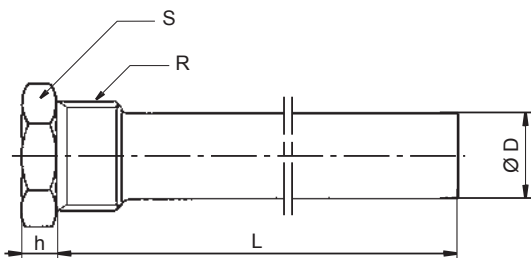
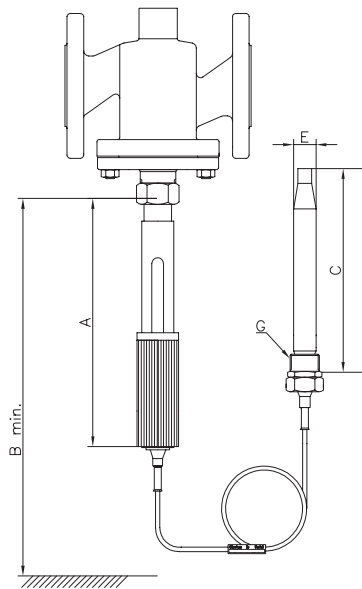
Type	Copper					Copper with sensor pocket		
	Rod sensor		Spiral sensor		Spiral sensor for air duct	Rod sensor		Liquid in sensor pocket
	T _D	T	T _D	T	T	T _D	T	
V4.05	6	130	2	20	360	20	200	Hot oil

Thermostat Types

Technical Data		Thermostat Types V4.05
Max. closing force	(N)	400
Setting range for standard thermostats ¹⁾	(°C)	0 - 120 / 40 - 160
Neutral zone	(°C)	2
For valves with rate travel up to	(mm)	21
Travel (Amplification) in Range (mm/°C)	-30 to 160 ²⁾	0.5
	140 to 280 ³⁾	0.7

¹⁾ Setting ranges from -30 to 280°C - Excess temperature safety range : 40°C ²⁾ Glycerine ³⁾ Paraffin

Dimension sketch



Dimensions and Weights

The measurements G and H are pipe threads according to ISO R7/1. All other measurements are mm. Weight: Net.

		Thermostat / Sensor material	
		Type V4.05	
Adjusting cylinder	A	385	
	B	525	
Sensor with threaded connection	C	390	
	D	235	
	E	22	
	F	49	
	G	R1	
	H	R2	
	kg	2.6	
	kg	3.1	

Weights: see below

Sensor Pockets Dimensions

For thermostat type		V 4.05
Dim. in mm	Ø D	25
	L	390
	h	10
	S	50
ISO 7/1 (Tapered)		R 1 1/4

*last updated 03/16