



2-Way Control Valves type M2F

Applications

Control valves type M2F are designed for regulating hot water, steam and lubricating oil systems.

The double-seated valves are used in installations where the system pressure necessitates a closing force greater than available in the actuator programme for a single-seated valve. The valves are used in conjunction with our temperature or pressure differential regulators for controlling industrial processes, district or central heating plants or marine installations.

Function

Without the actuator being connected, the valve is held in open position by means of a spring. With pressure on the spindle the valve will close.

In connection with our thermostats or electronic actuators, the valves will close at rising temperatures. For cooling circuits a reverse acting valve can be used.

The quadratic characteristic will not cease, until the flow has dropped below 4 % of the full flow.

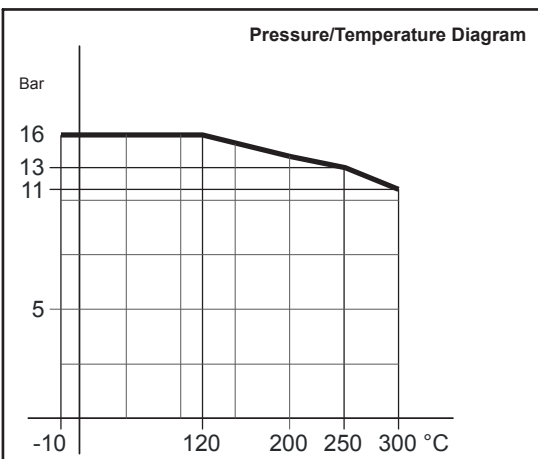
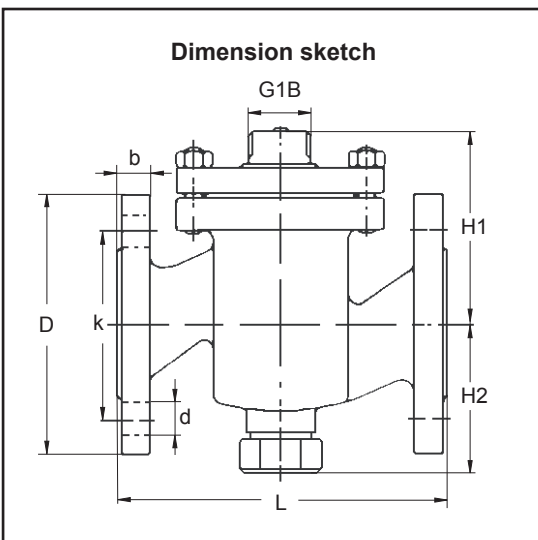
Design

The valve components - spindle, seats and cone - are made of stainless steel. The valve body is made of cast iron EN-GJS-400-15 (DN 20 till DN 65) or ENGJS-250 (DN 80) with flanges drilled according to EN 1092-2. The thread for the actuator connection is G1B ISO 228

The valves are double-seated and design for tight closure. The leakage rate is less than 0.5% of the full flow (according to VDI/VDI 2174)

Mounting

The valves can be installed with vertical as well as horizontal spindles. For valve temperatures of max. 170oC, the thermostatic / actuator can be fitted below or above the valve. For valve temperatures above 170oC, a cooling unit of type KS has to be applied with connection downwards.



Technical Data Material

No.	Description	Materials
1	Valve Body	Cast iron
2	Component	Stainless steel
3	Normal Pressure	PN 16
4	Seating	Double-seated
5	Bolts & Nuts	24 CrMo 4/A4
6	Leakage	≤ 0.05% of K_{vs}
7	Valve Characteristic	Quadratic
8	Regulating Cap.	$\frac{K_{vs}}{K_{vt}} > 25$

Specifications

Type	L mm	H1 mm	H2 mm	b mm	D (diameter) mm	k (diameter) mm	k_{vs} - value m^3/h
32 M2F	180	105	82	18	140	100	12.5
40 M2F	200	110	92	18	150	110	20
50 M2F	230	125	102	20	165	125	30
65 M2F	290	135	120	20	185	145	50

*last updated 03/16