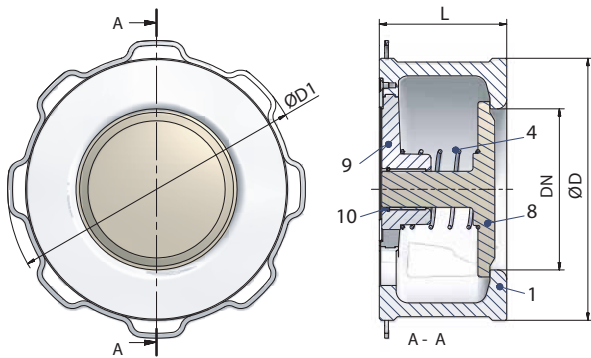


Stainless steel Disc Check Valve DN125-350
Fig. 001

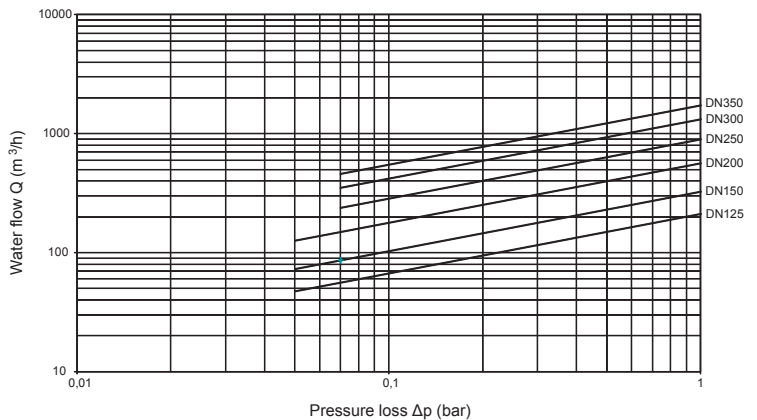
 Use centering ring:
refer to table Dimensions


- Material:** • Stainless steel (GX5CrNiMo19-11-2, 1.4408)
- Nominal pressure:** • PN16 - 40
- Verwendung:** • For liquids, gases and steam in all industrial processes
- Features:**
- Centering at the body (outside-Ø or centering ring)
 - Flange sealing surfaces with grooves
 - Operating limits acc. to DIN EN 1092-1 and AD-leaflets W10
 - Metallic sealing (GX5CrNiMo19-11-2, 1.4408), Tightness acc. to DIN EN 12266-1, Leakage rate D
 - Marking acc. to DIN EN 19
- Max. temperature:**
- 300°C
 - optional up to max. 500°C
- Connection:**
- Mounting between flanges to DIN EN 1092-1 Form B1, PN 6 / 10 / 16 / 40
 - Mounting between flanges to ANSI B16.5 Class 150 / 300 RF

Pressure loss diagram

Pressure drop diagram for water at 20°C with opened valve and horizontal flow.

For calculating the pressure drop of the medium the equivalent water flow volume has to be calculated.



Material			
Pos.	Sp.p.	Description	Fig. 55.001
1		Body	GX5CrNiMo19-11-2, 1.4408
4		Spring	X5CrNiMo17-12-2, 1.4401 (optional: Hastelloy or Nimonic)
8	x	Valve plate	GX5CrNiMo19-11-2, 1.4408
9		Spring plate	X5CrNi18-10, 1.4301
10		Retaining ring	DN125-150:X5CrNiMo17-12-2, 1.4401 (optional: Hastelloy)
		Centering ring	X5CrNi18-10, 1.4301
L Spare parts			

Dimensions		DN	125	150	200	250	300	350
Alpha Code			V23E003D10	V23E003D11	V23E003D12	V23E003XXX	V23E003XXX	V23E003XXX
Face-to-face dimension FTF series 49 ac. to DIN EN 558 (from DN 250 series 52)								
L		(mm)	90	106	140	200	250	280
Ø D	PN10	(mm)	192	218	273	328	378	438
Ø D	PN16	(mm)	192	218	273	328	378	444
Ø D	PN25	(mm)	192	226	--	--	--	457
Ø D1 (outside-Ø centering ring)	PN25	(mm)	--	--	283 ¹⁾	338 ¹⁾	400 ¹⁾	--
Ø D	PN40	(mm)	192	226	--	--	--	474
Ø D1 (outside-Ø centering ring)	PN40	(mm)	--	--	290 ¹⁾	352 ¹⁾	417 ¹⁾	--
Ø D	ANSI150	(mm)	192	218	273	--	--	447
Ø D1 (outside-Ø centering ring)	ANSI150	(mm)	--	--	--	338 ¹⁾	400 ¹⁾	--
Ø D	ANSI300	(mm)	--	--	--	--	--	482
Ø D1 (outside-Ø centering ring)	ANSI300	(mm)	212 ¹⁾	247 ¹⁾	304 ¹⁾	352 ¹⁾	417 ¹⁾	--
Kvs-values		(m³/h)	211,4	326	564	897	1320	1728
PED Category			II	II	II	II	II	II

¹⁾ the supplied centering ring must be used

Weights			10	14	24	50	77	108
55.001	(kg)							

*last updated 03/07/14