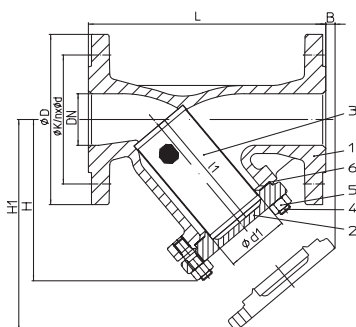


Fig. 050



Features:

- Screen and supporting basket made of stainless steel
- Precise guidance of screen in cover and body
- Screen from DN50 with reinforced ring
- Screen from DN150 with supporting basket

Figure	Nom. pressure	Material	Nom. diameter
10.050	PN6	EN-JL1040	DN15-200
12.050	PN16	EN-JL1040	DN15-300
22.050	PN16	EN-JS1049	DN15-300
23.050	PN25	EN-JS1049	DN15-150
34.050	PN25	1.0619+N	DN15-200
35.050	PN40	1.0619+N	DN15-200

A supporting basket is necessary, with higher differential pressures, dependent on clogging-up (DN >125 standard)

Test: • German TA - Luft TÜV-Test-No. 922-9204866

Selection of possible applications

Industry, power stations, flue gas purification plant, vapour facilities, recycling facilities, shipbuilding, general plant manufacturing (other applications on request)

Selection of possible flow media

Steam, gases, liquids, etc. (other flow media on request)

Dimensions

	DN	15	20	25	32	40	50	65	80	100	125	150	200	250	300	
L	(mm)	130	150	160	180	200	230	290	310	350	400	480	600	730	850	
H	(mm)	90	100	115	125	150	160	180	215	235	275	305	390	540	680	
H1	(mm)	135	150	180	205	235	250	285	330	365	425	480	610	915	1110	
B	(mm)	10	10	25	35	45	45	25	40	55	65	50	80	230	350	
l1	(mm)	56	68	82	98	114	119	134	149	169	199	224	284	434	555	
Ød1	(mm)	23	28	36	42	50	61.5	78.5	89.5	109.5	137.5	160	210	258	308	
Standard screen	mesh width	(mm)	1	1	1	1	1	1.25	1.25	1.6	1.6	1.6	1.6	1.6	1.6	
	Kvs-value ¹⁾	(m ³ /h)	6.9	10.8	17.8	26.1	36.7	61	98.6	146	234	376	394	652	1225	1873
	Zeta-value	--	1.7	2.2	2	2.5	3	2.7	2.9	3.1	2.9	2.8	5.2	6	4.2	3.7
Ratio of the free screen surface area to the area of the nominal diameters.			10	8.4	8.3	7.1	6.8	5.2	4.4	3.7	2.8	2.7	2.4	2.3	2.7	2.9

Zeta-value ... range of tolerance for Kvs-values acc. to VDI/VDE 2173

¹⁾ Kvs-values based upon clean screen !

Material

Pos.	Description	Fig. 10./12.050	Fig. 22./23.050	Fig. 34./35.050
1	Body	EN-JL1040, EN-GJL-250	EN-JS1049, EN-GJS-400-18U-LT	GP240GH+N, 1.0619+N
2	Cover	DN ≤150: EN-JL1040, EN-GJL-250 DN >150: P265 GH, 1.0425	DN ≤65: EN-JS1049, EN-GJS-400-18U-LT DN >65: P265 GH, 1.0425	DN ≤65: P250 GH, 1.0460 DN >65: P265 GH, 1.0425
3	Screen *	X5CrNi18-10, 1.4301		
3.1	Supporting basket	DN >125: X5CrNi18-10, 1.4301		
4	Stud	25CrMo4, 1.7218		
5	Hexagon nut	C35E, 1.1181		
6	Gasket *	Pure graphite (CrNi laminated with graphite)		

* Spare part

Pressure Temperature Ratings

Material	PN		-60°C to <-10°C	-10°C to 120°C	150°C	200°C	250°C	300°C	350°C	400°C	450°C
EN-JL1040	6	(bar)	--	6	5.4	4.8	4.2	3.6	--	--	--
	16	(bar)	--	16	14.4	12.8	11.2	9.6	--	--	--
EN-JS1049	16	(bar)	on request	16	15.5	14.7	13.9	12.8	11.2	--	--
	25	(bar)	on request	25	24.3	23	21.8	20	17.5	--	--
Material	PN		-60°C to <-10°C	-10°C to 120°C	150°C	200°C	250°C	300°C	350°C	400°C	450°C
	1.0619+N										
	25	(bar)	18.7	25	23.9	22	20	17.2	16	14.8	8.2
	40	(bar)	30	40	38.1	35	32	28	25.7	23.8	13.1

*last updated 10/16

